



A Donaldson Company

A WORLD LEADER IN FUME EXTRACTION TECHNOLOGY

ILF 300

LASER, MECHANICAL ENGINEERING

Last Updated on 05.02.2018



Inline filter delivering a longer life for applications that generate high amounts of dust and particulate.

The BOFA inline pre filters have been designed specifically for applications that generate high amounts of dust or particulate. The filter unit is positioned alongside the main BOFA fume filtration system to increase the overall filter capacity and extend the life of the main filters. A range of application dependent filter types and configurations are available on request.

Technology



ProTECT service plan



SureCHECK quality standard

Key features of the ILF 300

Extended filter life Standard

Large filtration area Standard

Contact BOFA at <https://bofainternational.com/en/contact/>

<https://bofainternational.com/en/portal/datasheets/ilf-300/>



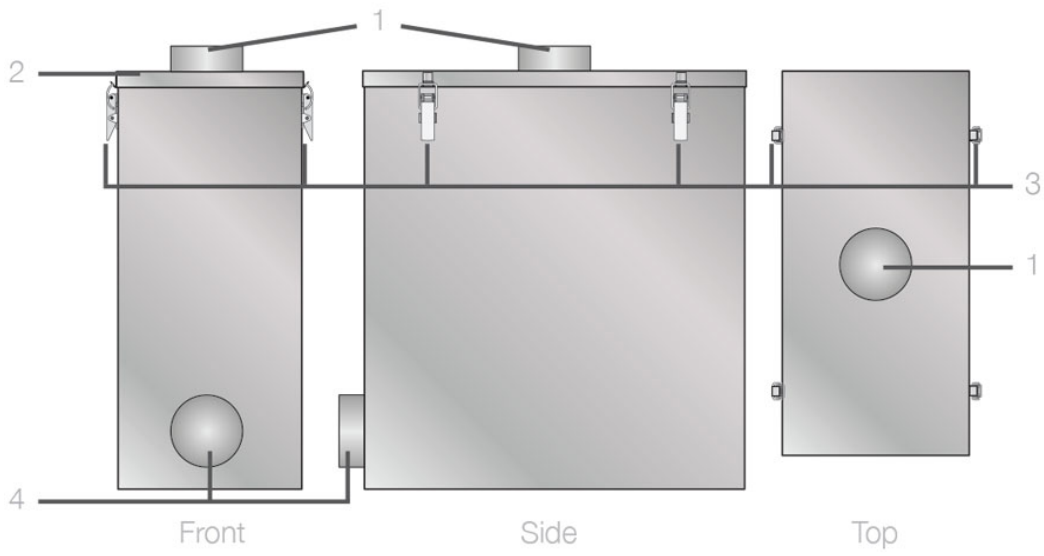
Technical specification - ILF 300

1. Inlet - 125mm

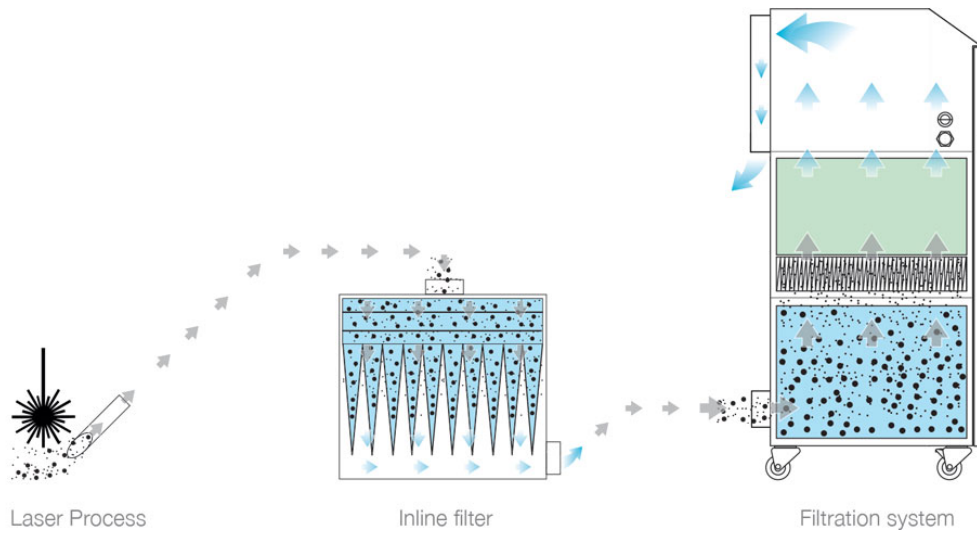
2. Lid

3. Filter compartment hinges

4. Exhaust outlet - 125mm

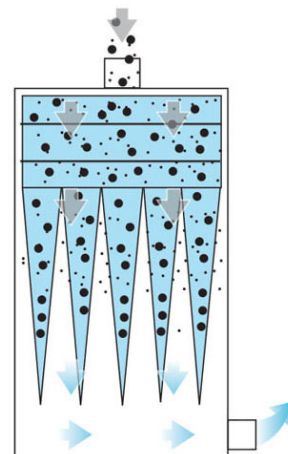


Inline filtration system



Airflow through filters

-  Pre filter
-  Clean air
-  Contaminated air
-  Particulate



Technical data - Inline filter 300

	EU	US
Dimensions (HxWxD)	796 x 638 x 328 mm	31.34 x 25.12 x 12.92"
Cabinet construction	Stainless steel	Stainless steel
Weight	27kg	60lbs
Exhaust outlet	125mm	4.9"

Pre filter (lower grade) specifications

Filter media construction	Bag filter
Filter efficiency	82% @ 1 microns

Pre filter (higher grade) specifications

Filter media construction	Pleated filter
Filter efficiency	95% @ 0.9 microns

Unit part numbers

Model	Part number
ILF 300 with a 5 pocket filter, stainless steel - Lower Grade	A1030069
ILF 300 with a 5 pocket filter, stainless steel - Higher Grade	A1030436

Replacement filter part numbers

Lower grade pre filter	Higher grade pre filter
A1030132 (5 Pocket)	A1030290 (5 Pocket)

Other languages

ILF 300
[French](#)

Datasheet correct at time of publishing.

The carbon used in BOFA units is capable of removing a wide range of VOC's, however it is the responsibility of the user to ensure the carbon is suitable for their application. For specific applications, please contact us for details.

Think before you print! Please consider the environment before printing this document.

